



COOKING EQUIPMENT

SERVING THE FOOD INDUSTRY SINCE 1951

QUARTZ ADJUSTABLE SINGLE SALAMANDER

Item: 39581

Model: CE-CN-1506-S

Item: 43450

Model: CE-CN-0580-S



*High Performance
and Quality
Single Salamander*

Item 39581 shown



Authorized Dealer

COOKING EQUIPMENT

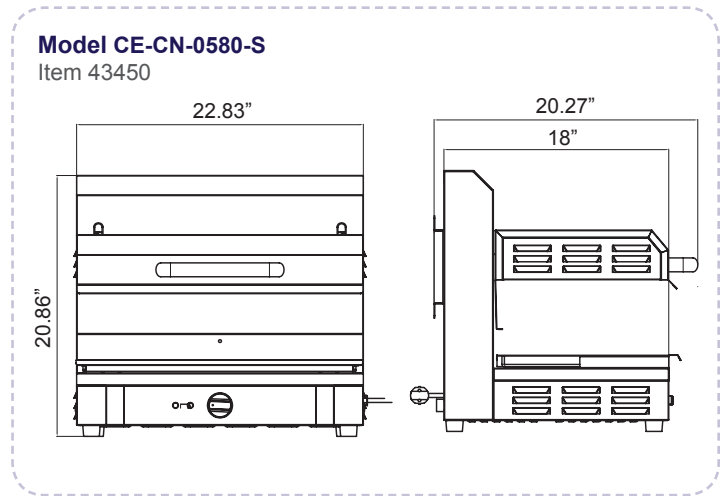
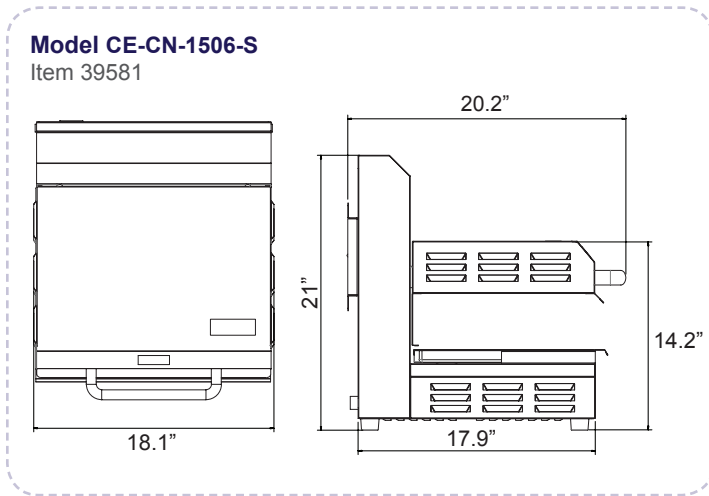
QUARTZ ADJUSTABLE SINGLE SALAMANDER

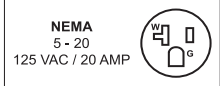
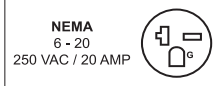


Detail images and features:



- Quick quartz heating from top
- Adjustable top grill for quick cooking with minimal heat loss
- Removable base tray
- Rubber feet
- Wall mount kit included
- Adjustable heating supply
- Built with stainless steel



| SINGLE ADJUSTABLE SALAMANDER | | |
|------------------------------|---|---|
| ITEM NUMBER | 39581 | 43450 |
| MODEL | CE-CN-1506-S | CE-CN-0580-S* |
| MATERIAL | Stainless Steel | Stainless Steel |
| WARMING BASE | 14" x 17.71" / 355 x 450 mm | 14" x 21" / 355 x 533 mm |
| POWER | 1.8 kW | 3.2 kW |
| TEMPERATURE | 60 ° - 300 °C / 140 ° - 572 °F | 60 ° - 300 °C / 140 ° - 572 °F |
| ELECTRICAL | 120V / 60Hz / 1Ph | 240V / 60Hz / 1 |
| WEIGHT | 72.8 lbs. / 33 kg. | 107 lbs./ 48.5 kg |
| PACKAGING WEIGHT | 77 lbs./ 35 kg. | 112.4lbs./ 51 kgs |
| DIMENSIONS (DWH) | 20.2" x 18.1" x 21" / 513 x 460 x 533 mm | 20.27" x 22.83" x 20.86" / 515 x 580 x 530 mm |
| PACKAGING DIMENSIONS | 22" x 22" x 20" / 559 x 559 x 508 mm | 24.8" x 22.44" x 22.44" / 630 x 570 x 570 mm |
| PLUG |  <p>NEMA 5 - 20 125 VAC / 20 AMP</p> |  <p>NEMA 6 - 20 250 VAC / 20 AMP</p> |

OMCAN INC.

Telephone: 1-800-465-0234
 Fax: (905) 607-0234
 E-mail: sales@omcan.com
 Website: www.omcan.com



Follow us to keep up to date with the latest news and offers

